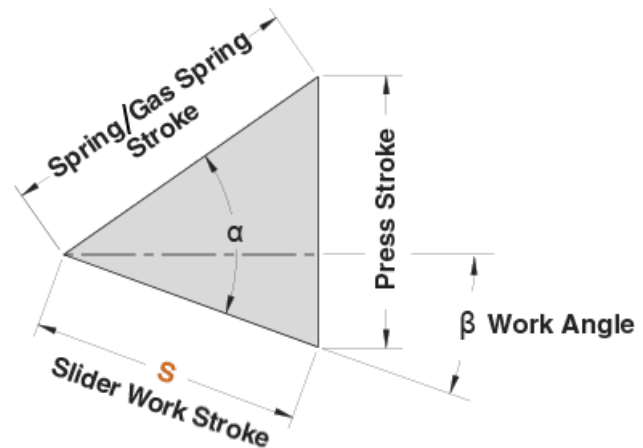
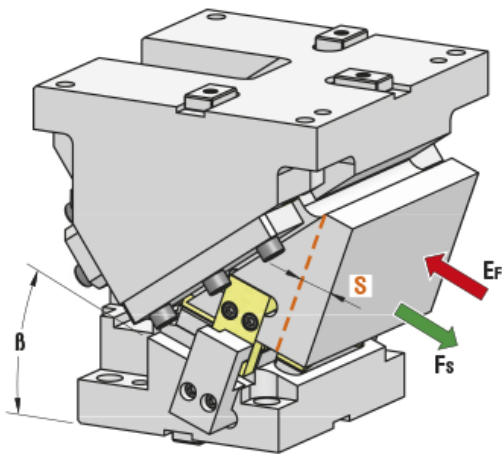




1. CAM DIAGRAM



OMCR CODE	Work Angle β	Slider Work Stroke S (mm)	Press Stroke (mm)	Spring / Gas Spring Stroke (mm)	$\alpha - \beta$	α
CHD250.00	0°	28,68	40,96	50	55°	55°
CHD250.05	5°	32,26	41,11	50	50°	55°
CHD250.10	10°	35,90	41,59	50	45°	55°
CHD250.15	15°	39,65	42,40	50	40°	55°
CHD250.20	20°	43,59	43,59	50	35°	55°
CHD250.25	25°	47,78	45,19	50	30°	55°
CHD250.30	30°	52,33	47,29	50	25°	55°
CHD250.35	35°	57,36	50,00	50	20°	55°
CHD250.40	40°	63,05	53,47	50	15°	55°
CHD250.45	45°	69,64	57,92	50	10°	55°
CHD250.50	50°	77,49	63,72	50	5°	55°
CHD250.55	55°	87,17	71,41	50	0°	55°
CHD250.60	60°	99,62	81,92	50	-5°	55°
CHD250.65	65°	116,51	96,91	50	-10°	55°



2. WORK FORCE DISTRIBUTION (kN) FOR 1 MILLION CYCLES

The following diagrams illustrate the maximum possible ranges of camforce applicable in several portions of the work area but always working in the exact direction of slider work stroke. If several forces are applied simultaneously on the work area, their common center has to be specified and compared with the tabular infos. The sum of all forces has to be lower than the corresponding tabular value.



Max Work Force with shoulder



Max Work Force with fitting keys

Assembly with shoulder

$\beta=0^\circ \div 65^\circ$		WIDTH				
		50	50	50	50	50
HEIGHT	55	94	307	395	307	94
	50	156	417	645	417	156
	55	131	250	425	250	131

Assembly with fitting keys

$\beta=0^\circ \div 65^\circ$		WIDTH				
		50	50	50	50	50
HEIGHT	55	42	138	297	138	42
	50	70	187	297	187	70
	55	59	113	297	113	59